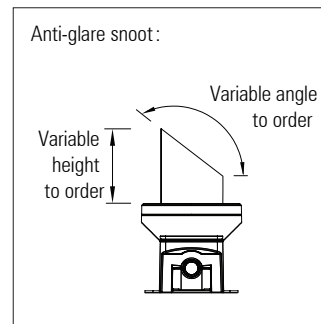
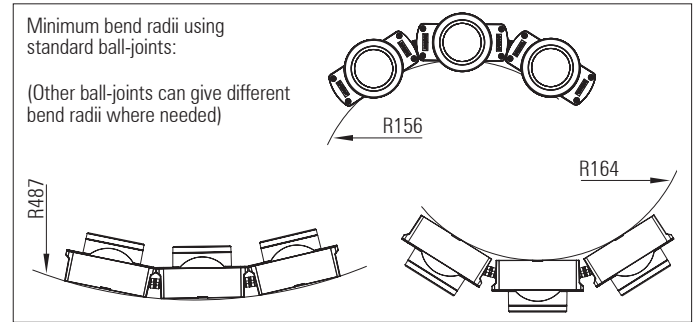
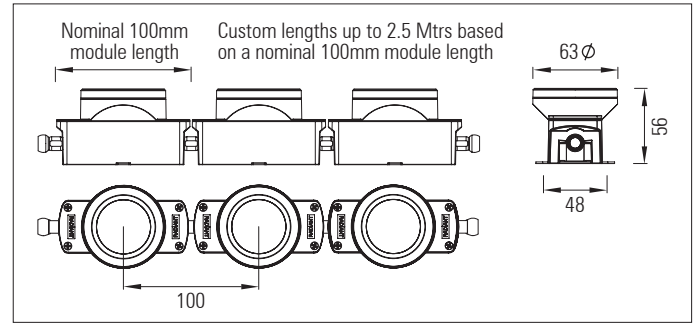


3D LED Flex 40 RGBW IP20

1 x RGBW LED array with 45mm ø colour-mixing lens per module
Modular, 3D flexible LED linear lighting system



LED / lens matrix	LUXEON Z LED CLUSTER: x4 RGBW LEDs
LLC59C Colour	FWHM 1: 11.7°
LLC59E Elliptical	FWHM 1: 8.2° FWHM 2: 31.3°
LLC59U Ultra Narrow	NA
LLC59N Narrow	FWHM 1: 7.6°
LLC59M Medium	FWHM 1: 24.1°
LLC59W Wide	FWHM 1: 32.2°

Custom combinations of different colour temp. white-light LEDs and different colour-light LEDs can be specified

Up to 1,627 Lumens per Mtr

1 x RGBW LED array with Gaggione colour-blending lens per module

Modular, 3D flexible LED linear lighting system

Product description:

For use in interior lighting applications where the building surfaces are non linear with curved profiles

Each module - 4 x Luxeon Z or CZ LEDs, with a highly efficient colour-blending Gaggione lens

Up to 4.5 Watts per 100mm module. Up to 48 V DC supply

Flexible in 3 dimensions - Articulated ball-joint system between modules

LED pitch is maintained between the modules

Side, back and end power feed and connector options allow for continuous lighting with no dark areas between fixtures. 16 Amp IP20 connectors join fixtures together on-site

Integral LV constant current driver or remote Eldoled 4 Channel DMX driver

Remote DMX / DALI controller can be located up to 50 mtrs from the LED system

Satin black, satin white or any RAL paint colour finish

Custom lengths based on a 100 mm module up to 2.5 mtrs

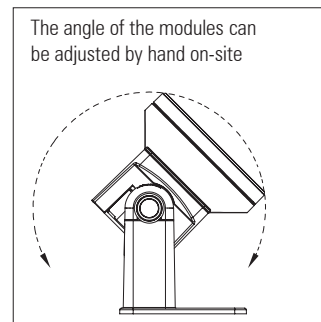
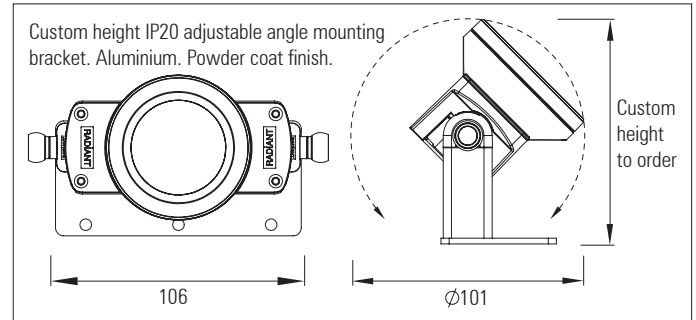
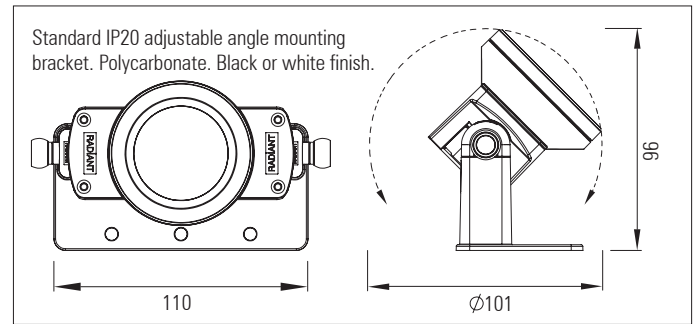
Various mounting options and bracket types are available

Product Code	No. of LEDs per mtr.	IP	Length (mm)	LED Type	LED Colour / Colour Temp.(K)	CRI	Anti-glare Snoot	Feed	Finish
RAD 3D LED FLEX 40 IP20 RGBW - 4 L	40 LEDs per Mtr: (100mm spacing between LED arrays)	20	100mm -increments of 100mm up to- 2,500mm	LUMILED Luxeon clusters: 4x RGBW CZ LEDs 4x RGBW Z LEDs	Specify all 4x LEDs in cluster:	80 90	Cut-angle: 0° - 75° (increments of 5°) Height: specify height	End Back Side	Black White Any RAL-colour
					Far Red, Red, Deep Red, Red-Orange, Amber, PC Amber, Mint, Lime, Green, Cyan, Blue, Royal Blue, Violet				

3D LED Flex 40 RGBW IP20

1 x RGBW LED array with 45mm ø colour-mixing lens per module

Adjustable angle mounting bracketry



Adjustable angle mounting bracketry for 3D LED Flex 40 IP20 - 1 x RGBW LED array with Gaggione colour-blending lens per module

The 3D LED Flex 40 system is flexible in 3 dimensions, which allows it to follow curved building contours. Once they have been fixed to the building surface, adjustable angle brackets allow the modules to be rotated around the major axis, so that the light output can be aimed precisely.

The angle of the modules can be adjusted by hand easily on-site. The friction ball-joint system keeps the modules correctly positioned. There is also a lockable option, which allows each module to be locked in place using an Allen key once it is correctly positioned.

A standard height version and a custom height version are available.

Custom options are also available.

The standard height bracket is made from polycarbonate and is available in black or white.

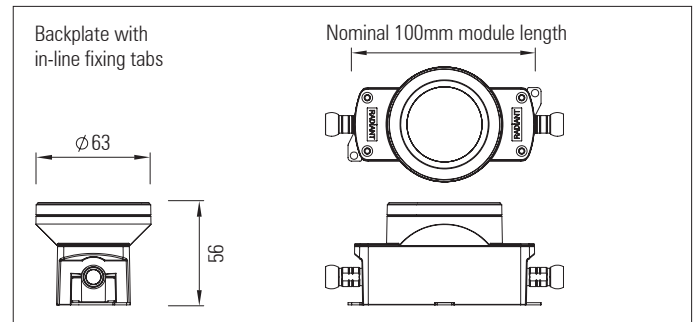
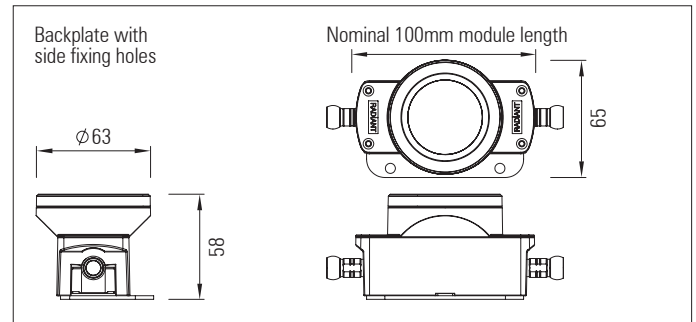
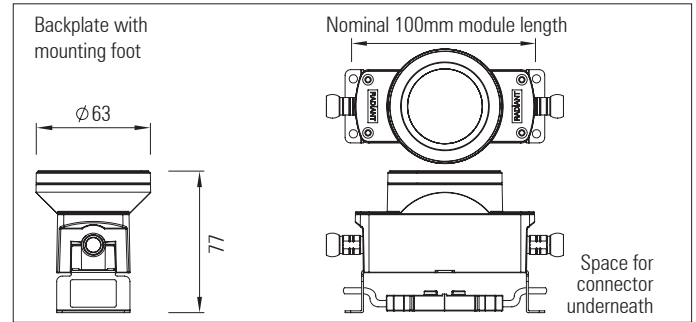
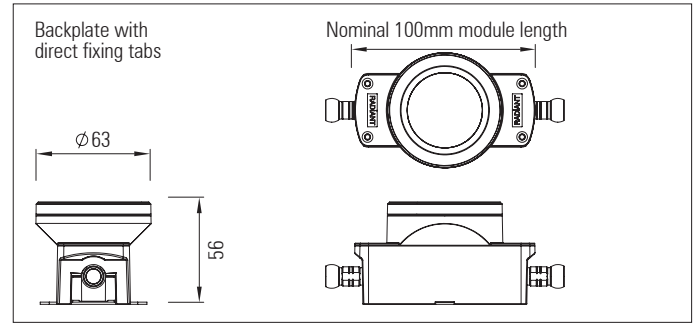
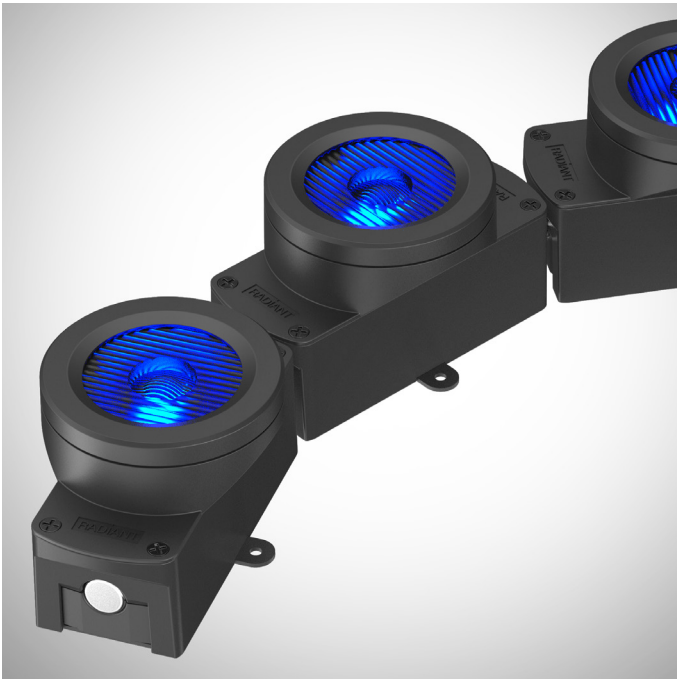
The custom-height bracket is made from aluminium with a powder coat finish which is available in satin black, satin white or any RAL paint colour finish.

Product code	IP	Finish	Height of legs (mm)
RAD 3D LED FLEX 40 IP20 ADJUSTABLE ANGLE BRACKET STANDARD PC	20	Polycarbonate: Black White	Custom height version only: 20mm
RAD 3D LED FLEX 40 IP20 ADJUSTABLE ANGLE BRACKET CUSTOM HEIGHT AL		Aluminium: Black White Any RAL colour	-increments of 5mm up to- 300mm

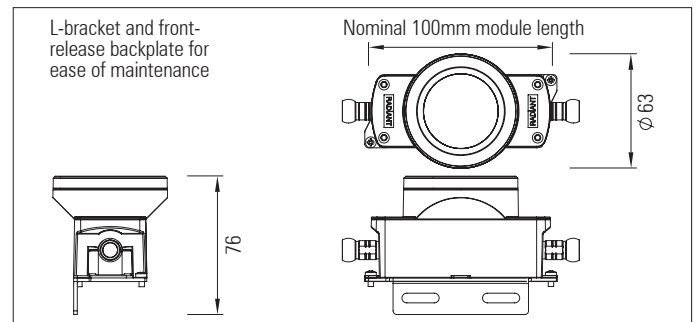
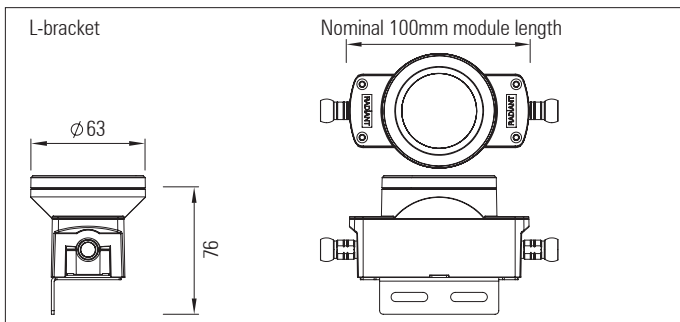
3D LED Flex 40 RGBW IP20

1 x RGBW LED array with 45mm \varnothing colour-mixing lens per module

Fixed angle mounting bracketry



Product code	IP	Finish
RAD 3D LED FLEX 40 IP20 FIXED ANGLE BRACKET DIRECT FIXING TABS	20	Black White Any RAL colour
RAD 3D LED FLEX 40 IP20 FIXED ANGLE BRACKET WITH MOUNTING FOOT		
RAD 3D LED FLEX 40 IP20 FIXED ANGLE BRACKET SIDE FIXING		
RAD 3D LED FLEX 40 IP20 FIXED ANGLE BRACKET IN-LINE FIXING		
RAD 3D LED FLEX 40 IP20 FIXED ANGLE L-BRACKET FRONT RELEASE		
RAD 3D LED FLEX 40 IP20 FIXED ANGLE L-BRACKET		



3D LED Flex 40 System

Ball-joint types

Product description:

Radiant's 3D LED Flex 40 system comprises a patented articulated ball-joint system which links the heatsink modules.


The ball-joints system allows the strips to bend and twist in 3 dimensions, so that they can follow any building contours, whilst maintaining a constant LED pitch.

There are various types of ball-joint to suit different applications, some of which can be seen on this data sheet. Please contact Radiant to discuss custom solutions.

Product Code	Material	Length (mm)
STANDARD BALL-JOINT BALL-JOINT STRAIGHT BRACKET BALL-JOINT BRACKET TIGHT BENDS BALL-JOINT CURVED BRACKET BALL-JOINT TIGHT BENDS BALL-JOINT LONG BALL-JOINT IN LINE FIXING	Nickel-plated brass	(For longer ball-joint only)
	Stainless steel	100mm 200mm 300mm Custom lengths

Standard ball-joint

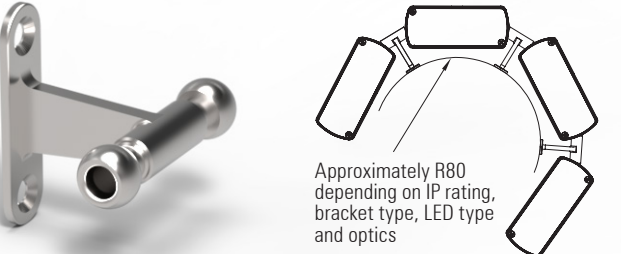
Minimum bend radius for 3D LED Flex 40 using standard ball-joints



Approximately R156 depending on IP rating, bracket type, LED type and optics

Ball-joint with straight bracket

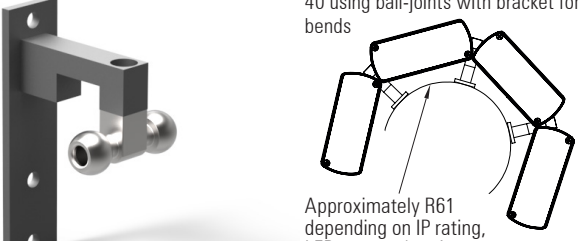
Minimum bend radius for 3D LED Flex 40 using ball-joints with straight bracket



Approximately R80 depending on IP rating, bracket type, LED type and optics

Ball-joint with bracket for tight bends

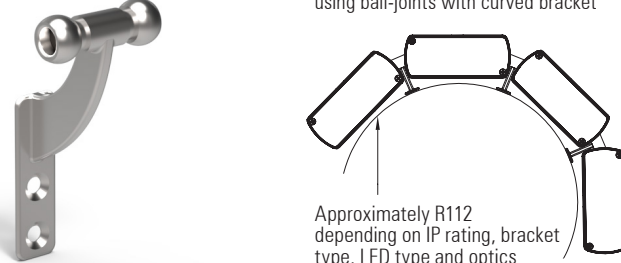
Minimum bend radius for 3D LED Flex 40 using ball-joints with bracket for tight bends



Approximately R61 depending on IP rating, LED type and optics

Ball-joint with curved bracket

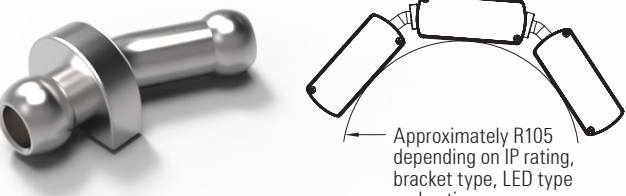
Minimum bend radius for 3D LED Flex 40 using ball-joints with curved bracket



Approximately R112 depending on IP rating, bracket type, LED type and optics

Ball-joint for tight bends

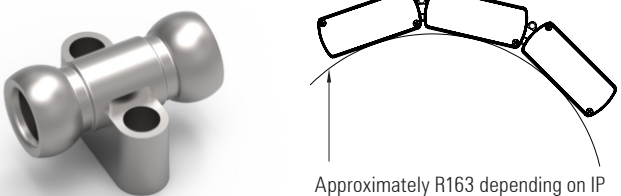
Minimum bend radius for 3D LED Flex 40 using ball-joints for tighter bends



Approximately R105 depending on IP rating, bracket type, LED type and optics

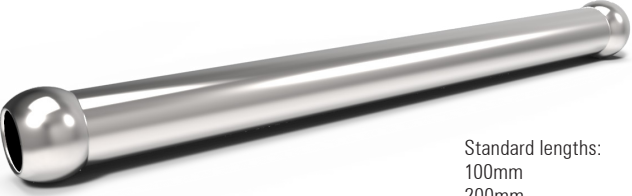
Ball-joint with in-line fixing bosses

Minimum bend radius for 3D LED Flex 40 using ball-joints with inline fixing bosses



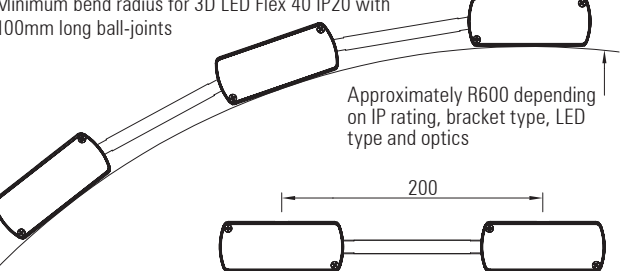
Approximately R163 depending on IP rating, bracket type, LED type and optics

Longer ball-joint



Standard lengths:
100mm
200mm
300mm
(Custom lengths to order)

Minimum bend radius for 3D LED Flex 40 IP20 with 100mm long ball-joints



Approximately R600 depending on IP rating, bracket type, LED type and optics

200